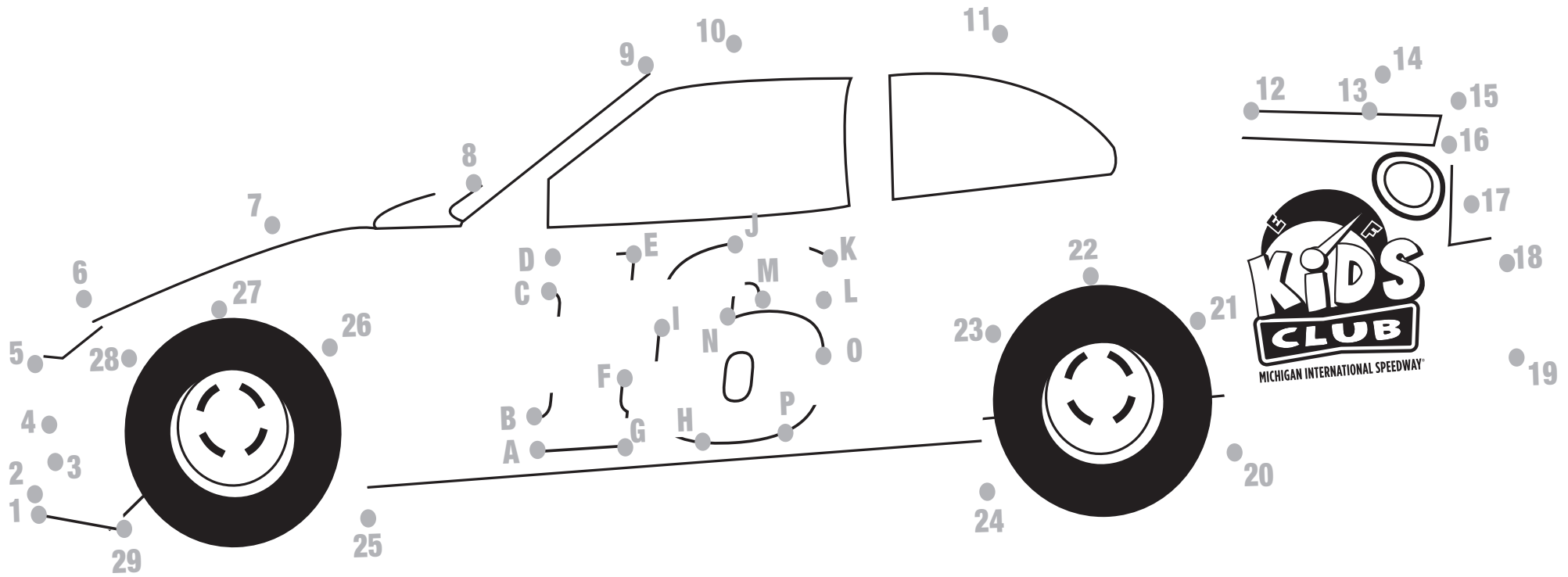




CONNECT THE DOTS ACTIVITY



1. Connect the numbers 2. Finish the drawing by connecting the letters!

